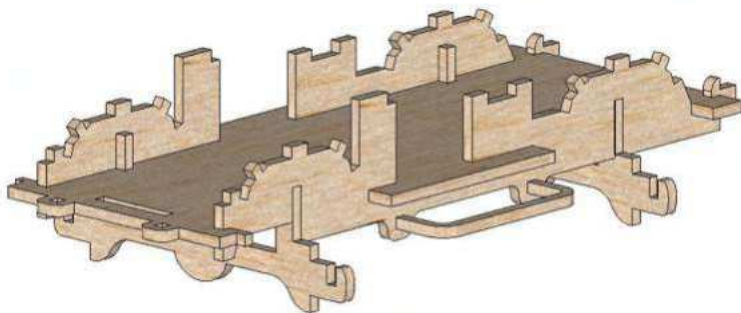
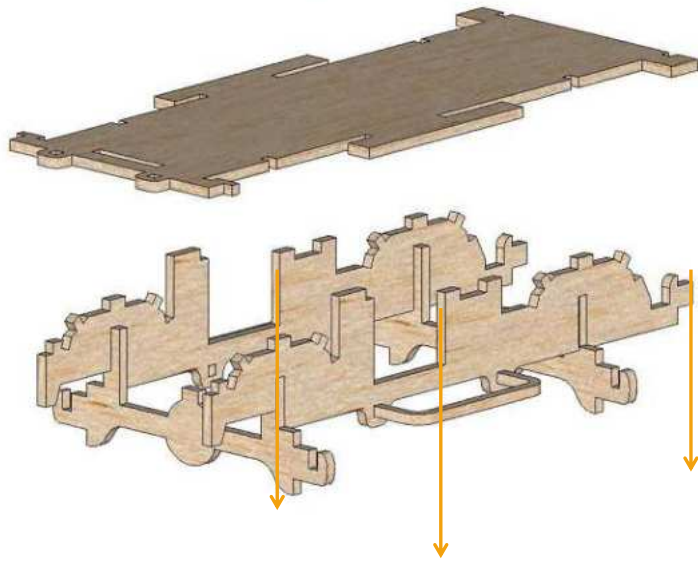
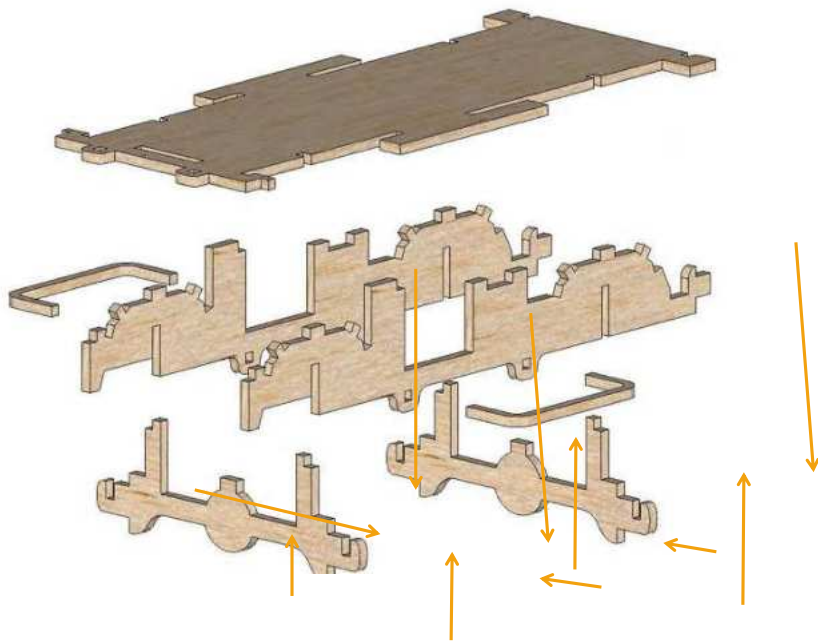
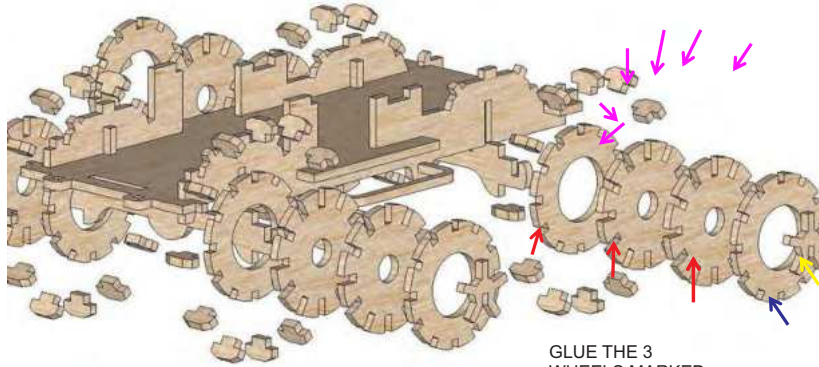


LANDROVER

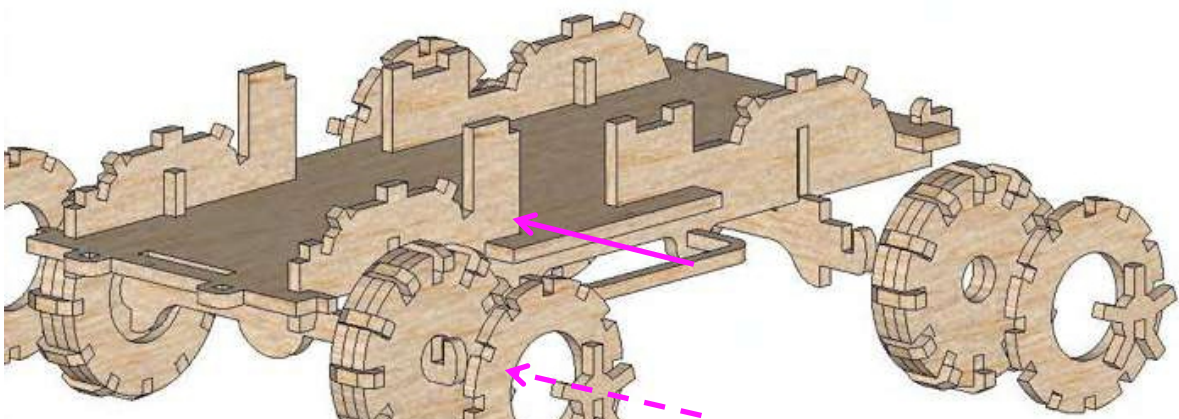
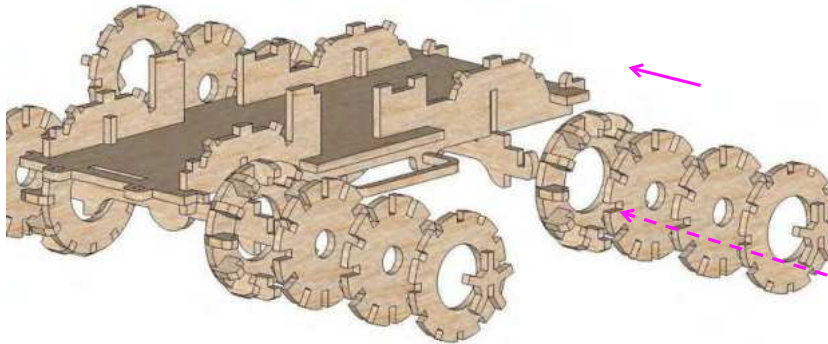
2 DOOR

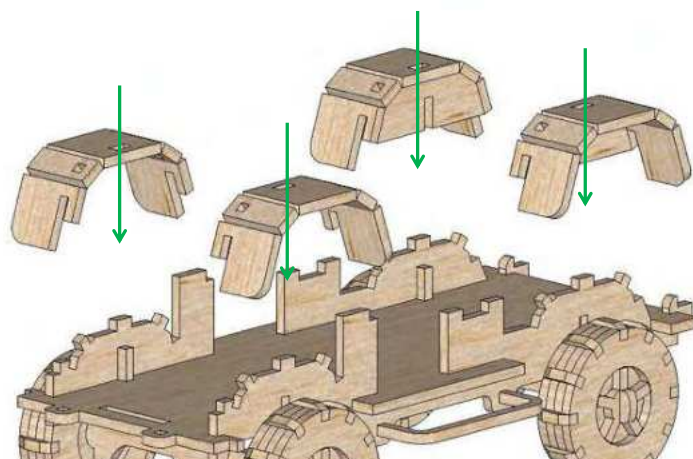
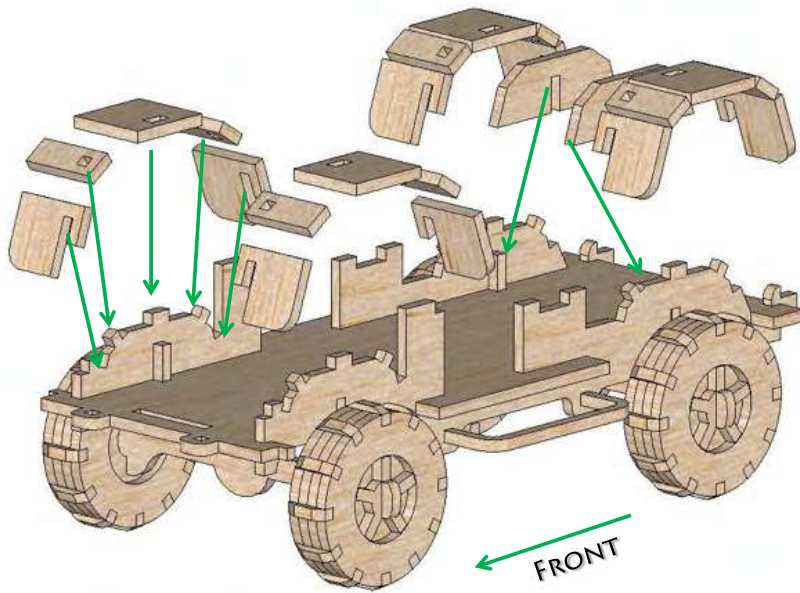
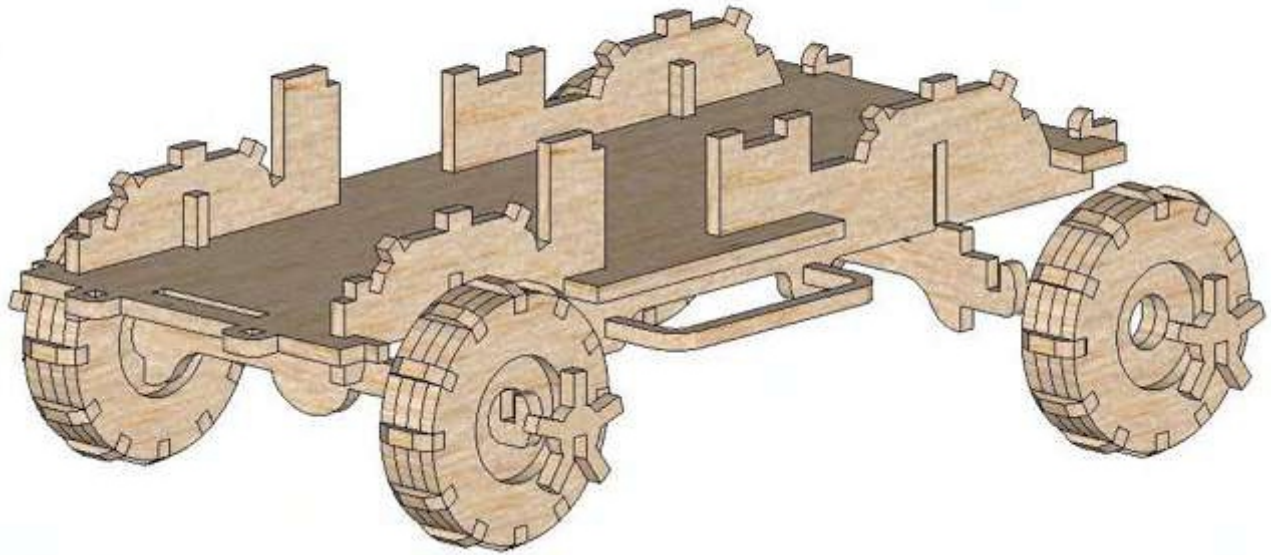


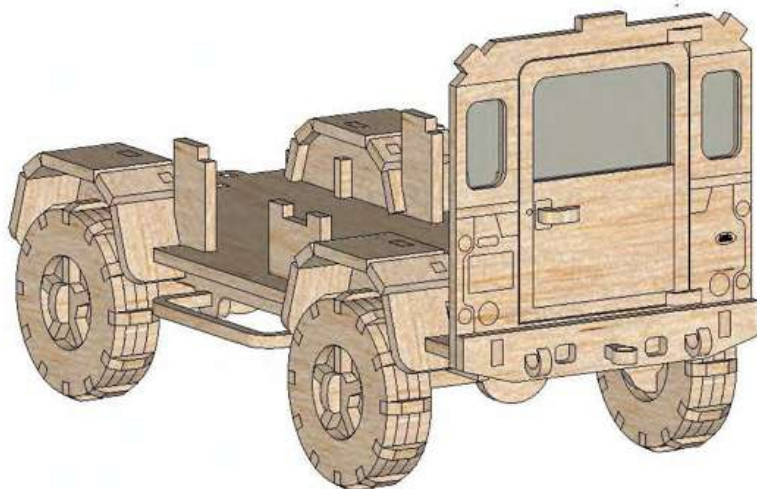
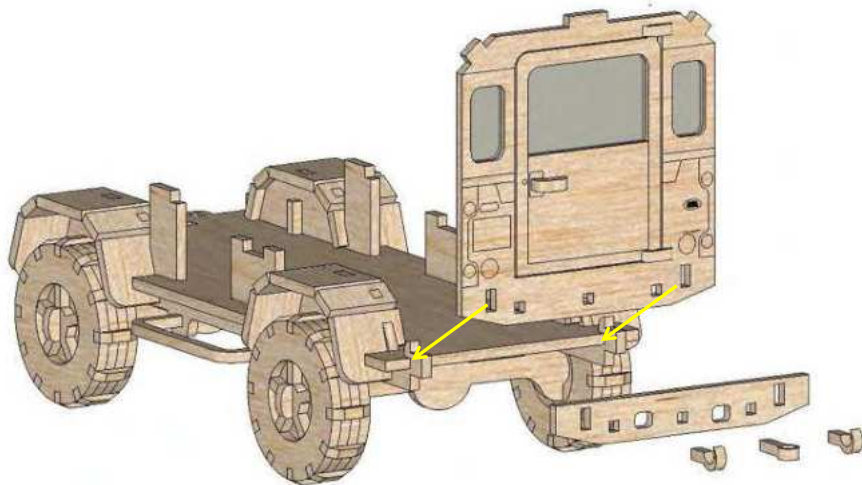
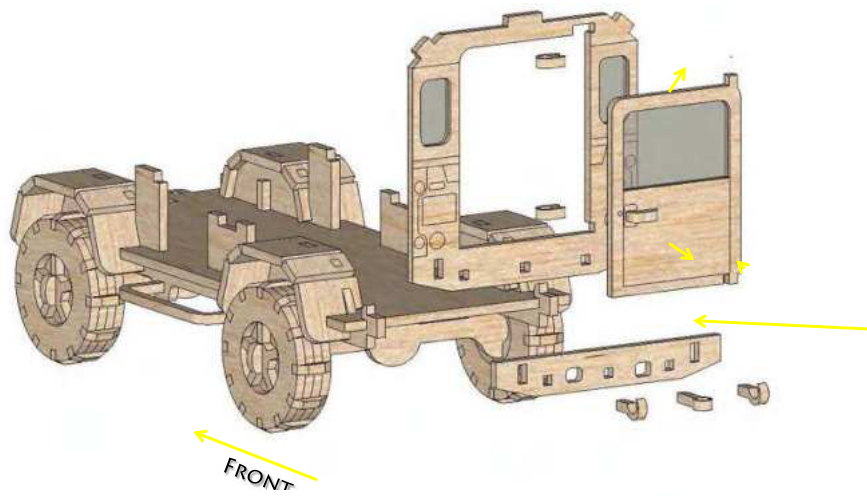


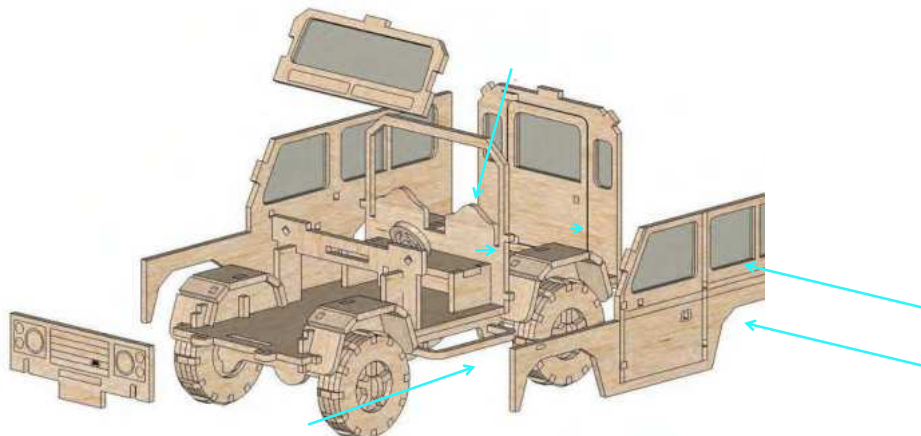
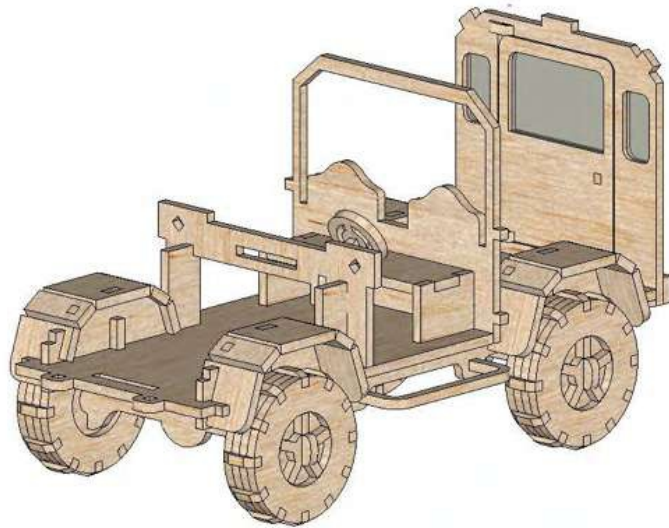
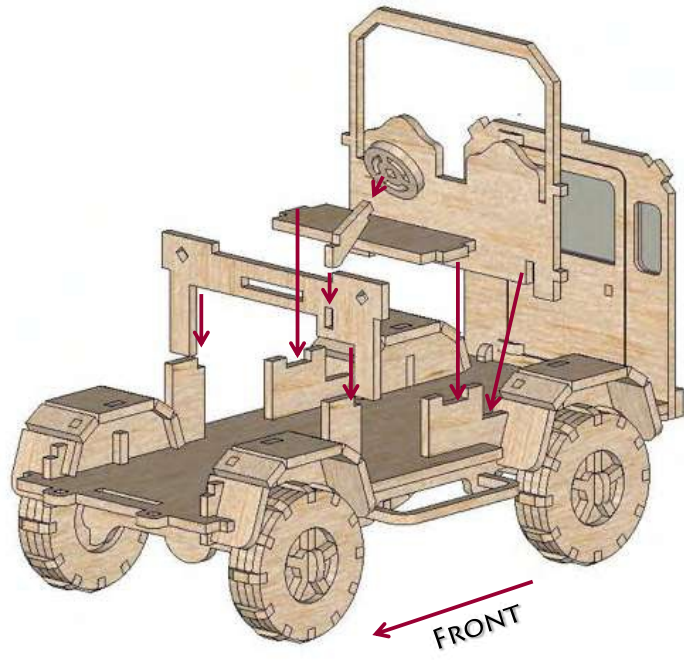


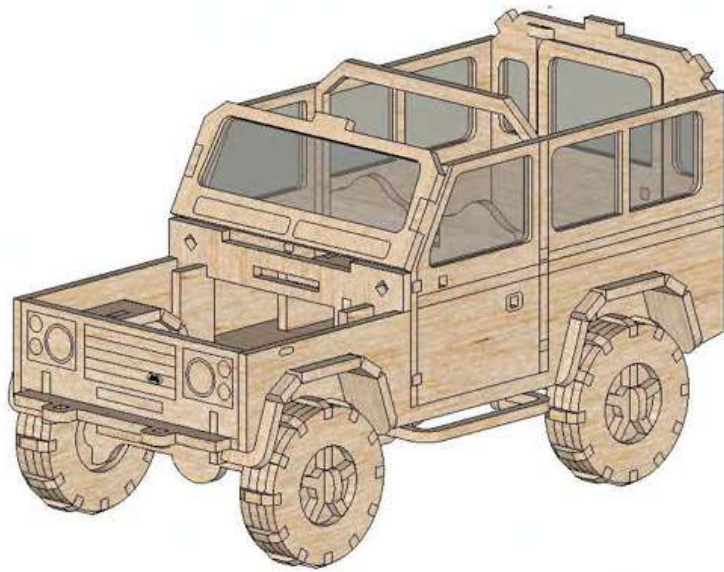
GLUE THE 3
WHEELS MARKED
WITH A RED ARROW
TOGETHER, PLACED
IT OVER THE AXEL.
SECURE WITH THE
PART MARKED IN
YELLOW.
GLUE THE WHEEL MARKED
IN BLUE ONTO THE OTHER
3 WHEELS
(SEE NEXT 4 PAGES)



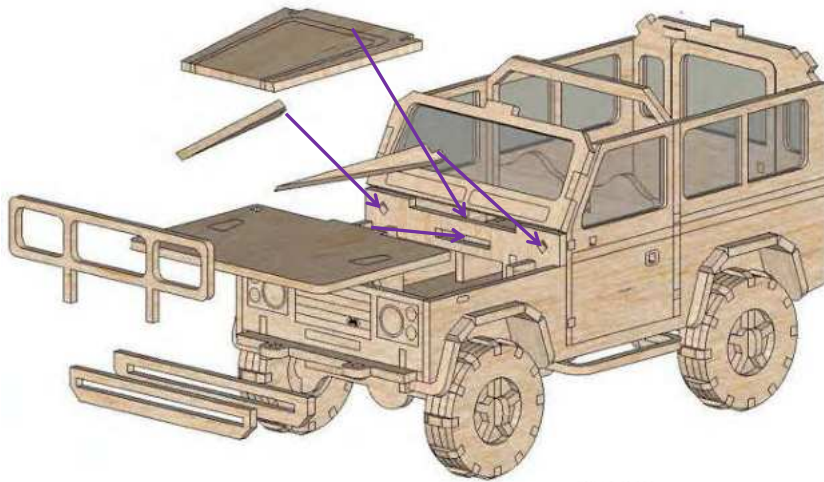




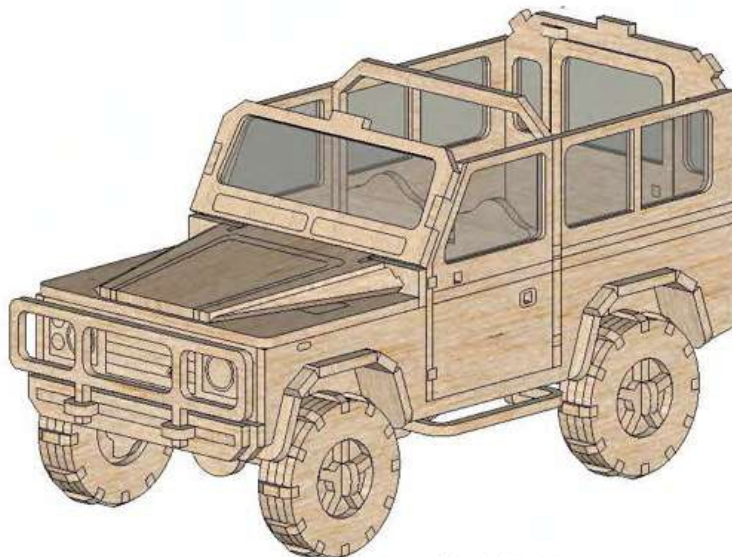




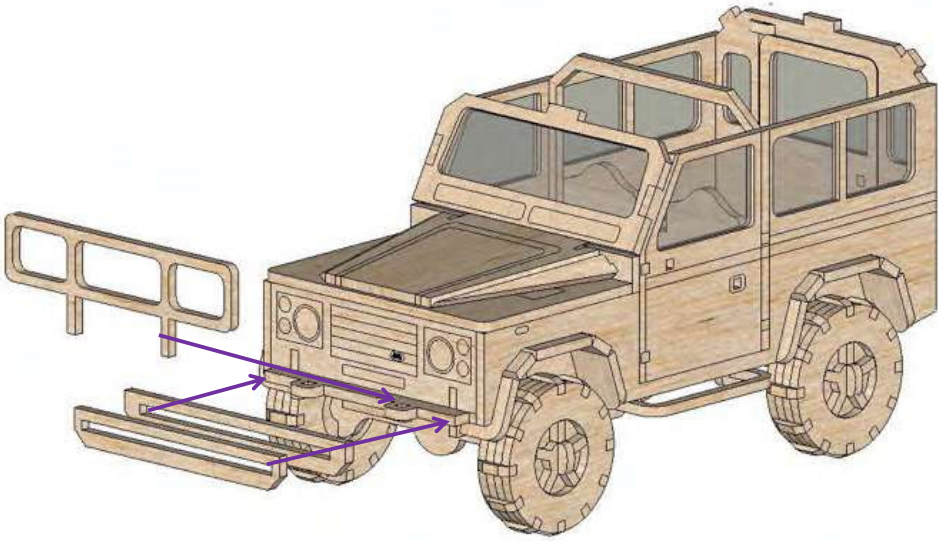
SIDES



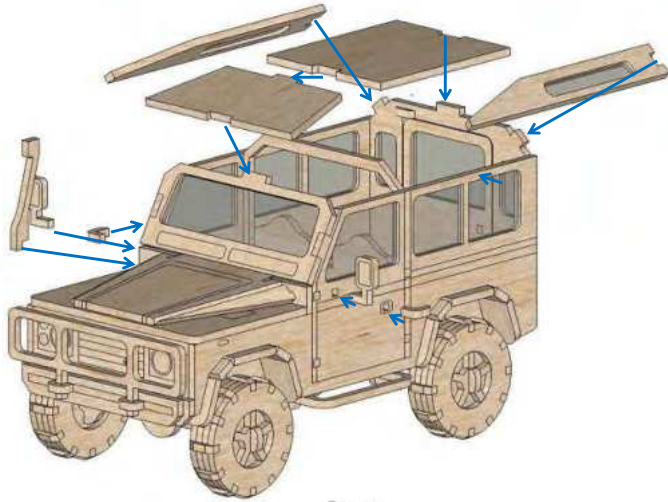
HOOD



BUMPER

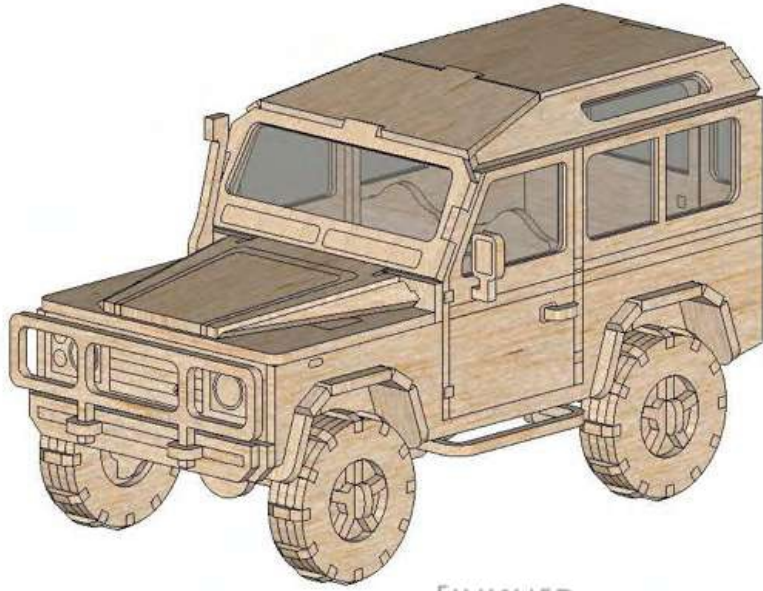


BUMPER

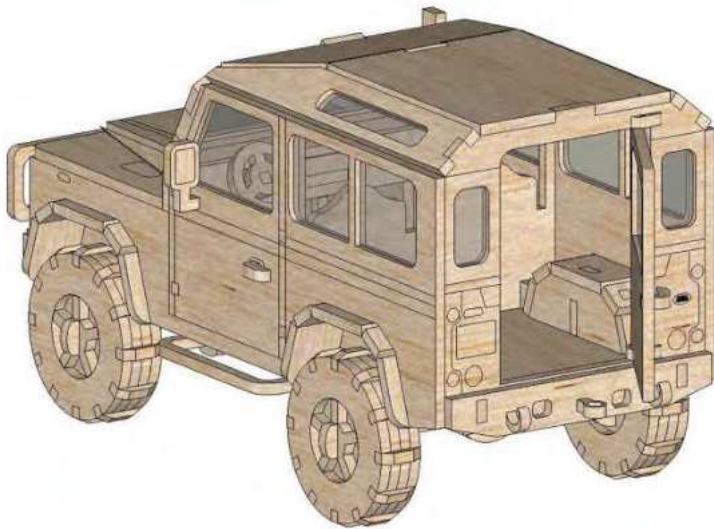


ROOF



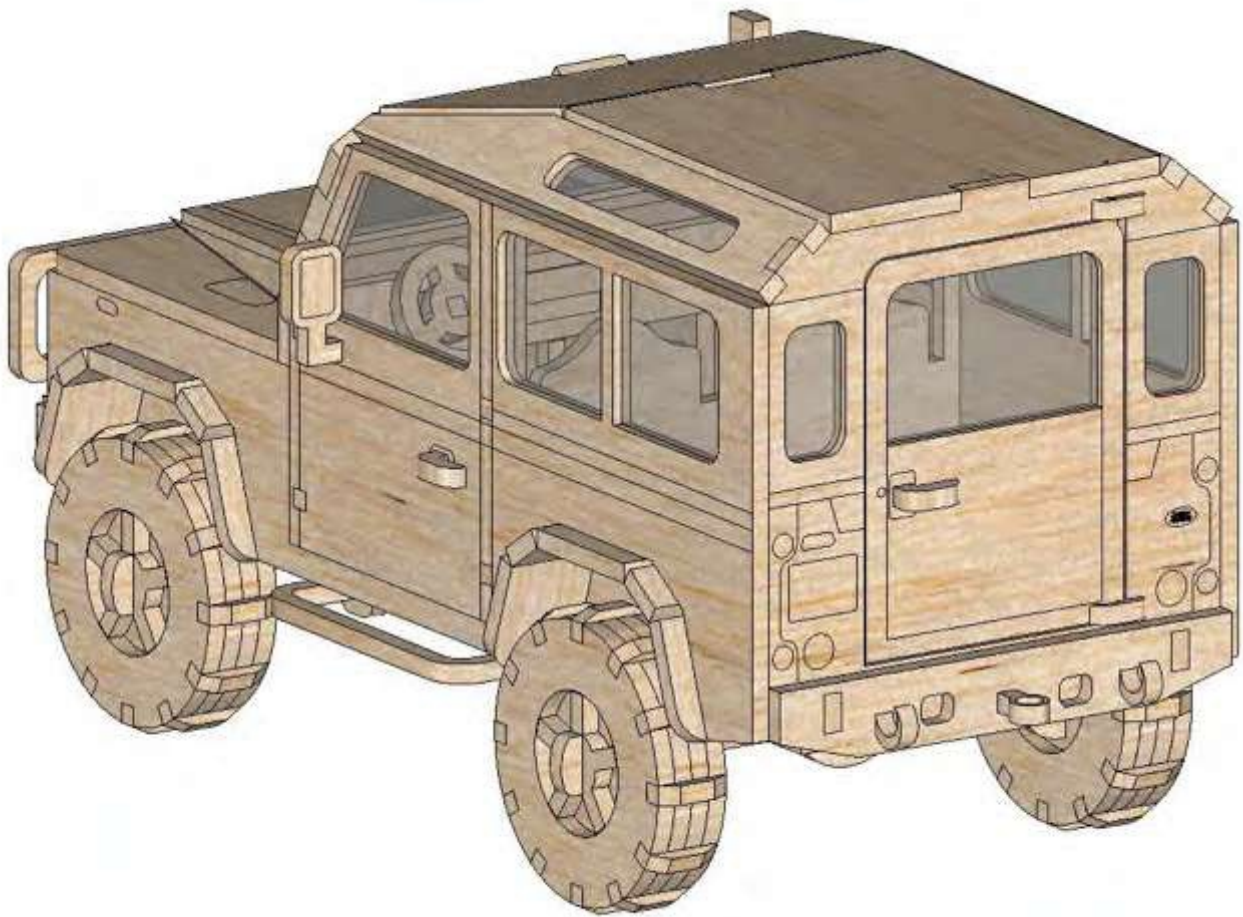


FINISHED



FINISHED





FINISHED

